

# StanzMe Supine Stander Order Form

## February 2026

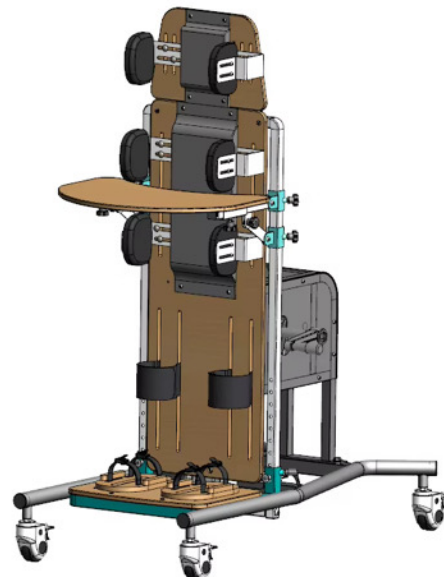
|   |   |
|---|---|
| Mark For: _____<br>Date: _____<br>Dealer Acct #: _____<br>Dealer Name: _____<br>Dealer Email: _____<br>Dealer Phone: _____<br>Dealer Fax: _____<br>Dealer Address: _____<br>Dealer City: _____ ST: _____ Zip: _____<br>Confirm Via: _____ | Submitting for: _____<br>Quote: _____ Order: _____<br>PO #: _____<br><br><p style="text-align: center;"><b>ADDITIONAL SHIPPING INFORMATION</b></p> Attention: _____<br>Address: _____<br>City: _____ ST: _____ Zip: _____<br>Phone: _____<br>Email: _____<br>Fax: _____ |
|---|---|

The HCPCS CODES herein are based on PDAC verification or interpretation of Medicare definitions and guidelines. Non-Medicare payers may accept alternative HCPCS CODES, including misc. codes to ensure access for their enrollees. The use of HCPCS CODES does not ensure coverage or payment.

|  | Item Code | Description  | HCPS  | MSRP       |
|--|-----------|--|-------|------------|
|  | SSS-6000S | StanzMe Supine Stander Package - Small *COMING SOON IN JULY* | E0638 | \$3,600.00 |
|  | SSS-6000M | StanzMe Supine Stander Package - Medium                      | E0638 | \$3,800.00 |
|  | SSS-6000L | StanzMe Supine Stander Package - Large                       | E0638 | \$4,200.00 |

## Supine Stander Measurements

| Size                                   | Small                                 | Medium                     | Large                      |
|--|---------------------------------------|----------------------------|----------------------------|
| User age                               | 0-6 years                             | 4 - 10 years               | 7 - 14 years               |
| User height ( approximate)             | 31.5"-47.2"                           | 33" - 55"                  | 53" - 65"                  |
| Footrest dimensions                    | 15.7"W x 14.1"D/40cm x 36cm           | 22"W x 12"D/56cm x 32cm    | 25"W x 16"D/64cm x 40cm    |
| Base - width x length (fully extended) | 21.6" x 43.7-47.2" / 55cm x 111-120cm | 22" x 42"/55cm x 105cm     | 29.5" x 45.5"/75cm x 116cm |
| Footrest to top of chest board         | 53.5" - 57.5" / 136cm - 146cm         | 33.5" - 55" / 85cm - 140cm | 53" - 59"135cm - 150cm     |
| Tray size                              |                                       | 17" x 24"/44cm x 61cm      | 19" x 28"/48cm x 70cm      |
| Range to Supine in Degrees             | 180 degrees to 90 degrees             | 180 degrees to 90 degrees  | 180 degrees to 90 degrees  |



## StanzMe SUPINE Stander - Itemized Pricing

### StanzMe SUPINE Stander - Small (Early Intervention)

**\*COMING SOON IN JULY\***

|                                    | Item Code       | Description                                    | HCPCS | MSRP              |
|------------------------------------|-----------------|--|-------|-------------------|
| O                                  | SSS-FRAME-SMALL | Frame  | E0638 | \$1400.00         |
| O                                  | SSS-UESS        | Tray with adjustable height and angle hardware | E1399 | \$400.00          |
| O                                  | SSS-PBB         | Padded Back Board                              | E1399 | \$200.00          |
| O                                  | SSS-LTS         | Lateral Trunk Supports (Pair)                  | E1399 | \$200.00          |
| O                                  | SSS-LHS         | Lateral Hip Supports (Pair)                    | E1399 | \$200.00          |
| O                                  | SSS-HLHP        | Headrest with Adjustable Lateral Supports      | E1399 | \$400.00          |
| O                                  | SSS-CH          | Chest Harness                                  | E1399 | \$200.00          |
| O                                  | SSS-LKS         | Lateral Knee Supports (Pair)                   | E1399 | \$200.00          |
| O                                  | SSS-SH          | Shoe holder and padded foot straps             | E1399 | \$100.00          |
| O                                  | SSS-VS          | Adjustable height foot platform                | E1399 | \$300.00          |
| <b>Total (shipping additional)</b> |                 |  |       | <b>\$3,600.00</b> |

## StanzMe SUPINE Stander - Itemized Pricing

| StanzMe SUPINE Stander - Medium    |                  |  |       |            |
|------------------------------------|------------------|--|-------|------------|
|                                    | Item Code        | Description                                    | HCPCS | MSRP       |
| O                                  | SSS-FRAME-MEDIUM | Frame  | E0638 | \$1600.00  |
| O                                  | SSS-U ESS        | Tray with adjustable height and angle hardware | E1399 | \$400.00   |
| O                                  | SSS-PBB          | Padded Back Board                              | E1399 | \$200.00   |
| O                                  | SSS-LTS          | Lateral Trunk Supports (Pair)                  | E1399 | \$200.00   |
| O                                  | SSS-LHS          | Lateral Hip Supports (Pair)                    | E1399 | \$200.00   |
| O                                  | SSS-HLHP         | Headrest with Adjustable Lateral Supports      | E1399 | \$400.00   |
| O                                  | SSS-CH           | Chest Harness                                  | E1399 | \$200.00   |
| O                                  | SSS-LKS          | Lateral Knee Supports (Pair)                   | E1399 | \$200.00   |
| O                                  | SSS-SH           | Shoe holder and padded foot straps             | E1399 | \$100.00   |
| O                                  | SSS-VS           | Adjustable height foot platform                | E1399 | \$300.00   |
| ALL PARTS ARE INCLUSIVE IN PACKAGE |                  | Total <b>(shipping additional)</b>             |       | \$3,800.00 |

## StanzMe SUPINE Stander - Itemized Pricing

| <b>StanzMe SUPINE Stander - Large</b>                        |                 |   |       |            |
|--|-----------------|---|-------|------------|
|  | Item Code       | Description                                     | HCPCS | MSRP       |
| 0  | SSS-FRAME-LARGE | Frame   | E0638 | \$2,000.00 |
| 0  | SSS-U ESS       | Tray with adjustable height and angle hardware  | E1399 | \$400.00   |
| 0  | SSS-PBB         | Padded Back Board                               | E1399 | \$200.00   |
| 0  | SSS-LTS         | Lateral Trunk Supports (Pair)                   | E1399 | \$200.00   |
| 0  | SSS-LHS         | Lateral Hip Supports (Pair)                     | E1399 | \$200.00   |
| 0  | SSS-HLHP        | Headrest with Adjustable Lateral Supports       | E1399 | \$400.00   |
| 0  | SSS-CH          | Chest Harness Butterfly                         | E1399 | \$200.00   |
| 0  | SSS-LKS         | Lateral Knee Supports (Pair)                    | E1399 | \$200.00   |
| 0  | SSS-SH          | Shoe holder and padded foot straps              | E1399 | \$100.00   |
| 0  | SSS-VS          | Adjustable height foot platform                 | E1399 | \$300.00   |
| 0  |                 | Power actuator kit <b>(not included in pkg)</b> | E1399 | \$200.00   |
| ALL PARTS ARE INCLUSIVE IN PACKAGE EXCEPT POWER ACTUATOR KIT |                 | Total <b>(shipping additional)</b>              |       | \$4,200.00 |